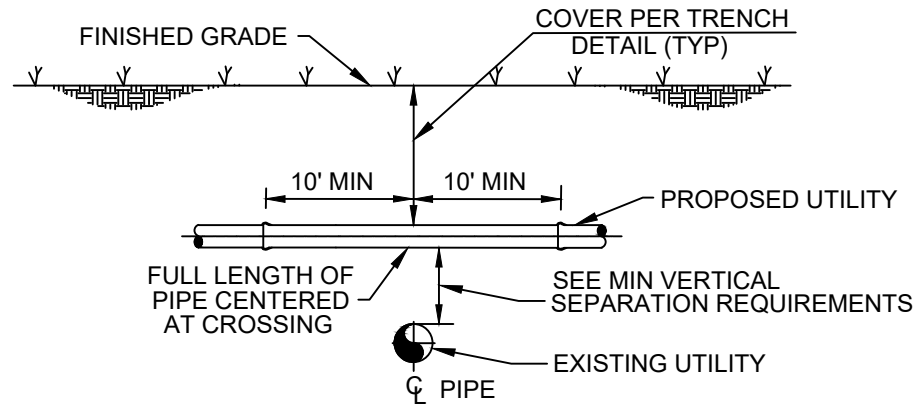


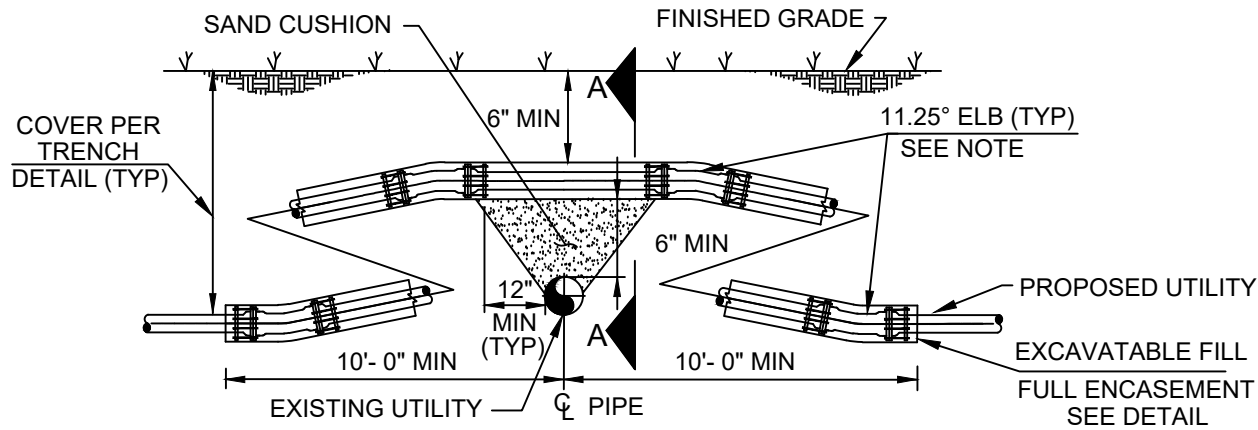
***NOTE: DO NOT ENCASE PIPING IN CONCRETE UNLESS SPECIFICALLY AUTHORIZED BY A CITY OF LEESBURG REPRESENTATIVE.**

OPTION 1 (SUFFICIENT COVER AND SEPARATION AVAILABLE)



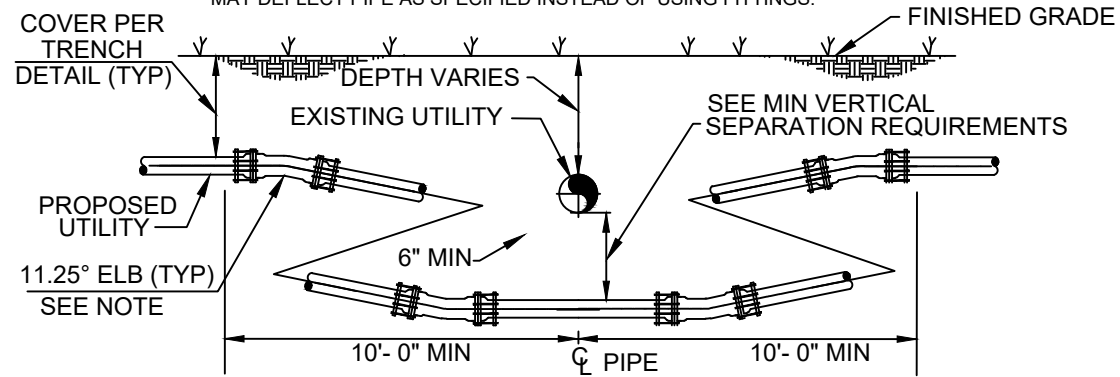
ALTERNATE OPTION 1 (SUFFICIENT COVER OR SEPARATION NOT AVAILABLE)

***NOTE:** WITH APPROVAL OF CITY OF LEESBURG REPRESENTATIVE, CONTRACTOR MAY DEFLECT PIPE AS SPECIFIED INSTEAD OF USING FITTINGS.



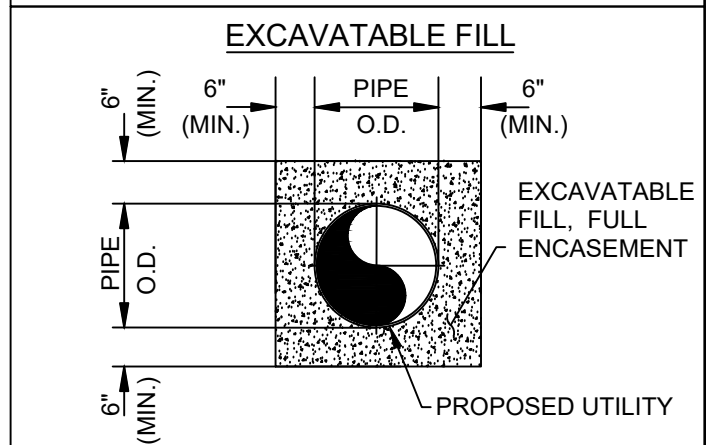
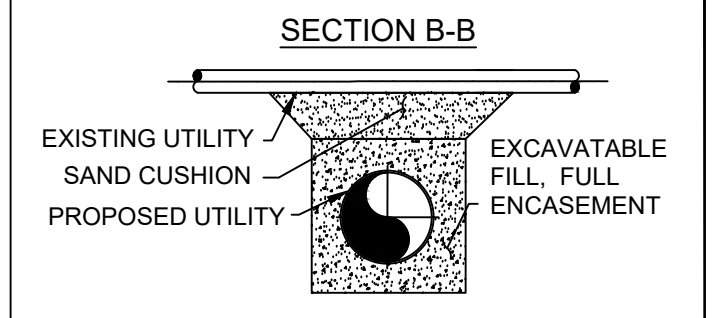
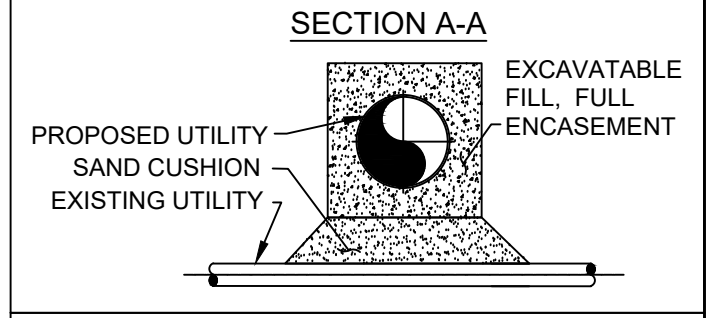
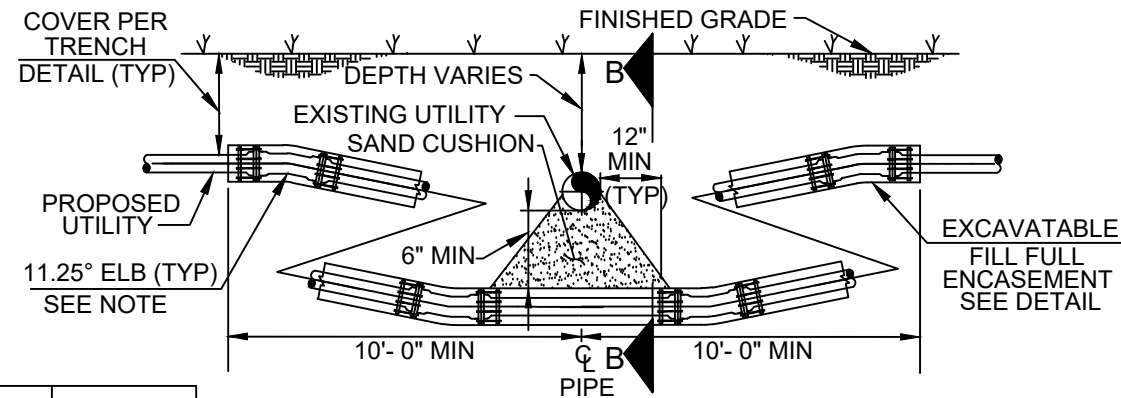
OPTION 2 (SUFFICIENT SEPARATION AVAILABLE)

***NOTE:** WITH APPROVAL OF CITY OF LEESBURG REPRESENTATIVE, CONTRACTOR MAY DEFLECT PIPE AS SPECIFIED INSTEAD OF USING FITTINGS.



ALTERNATE OPTION 2 (SUFFICIENT SEPARATION NOT AVAILABLE)

***NOTE:** 1. FOR PROPOSED WATER MAINS, THIS OPTION IS ONLY ALLOWED WITH APPROVAL OF CITY OF LEESBURG REPRESENTATIVE AND FDEP ON CASE BY CASE BASIS.
2. WITH APPROVAL OF CITY OF LEESBURG REPRESENTATIVE, CONTRACTOR MAY DEFLECT PIPE AS SPECIFIED INSTEAD OF USING FITTINGS.



PROPOSED UTILITY	MINIMUM HORIZONTAL SEPARATION EXISTING UTILITY						
	POTABLE WATER	GRAVITY SANITARY SEWER	SEWAGE FORCE MAIN	STORM	RECLAIMED WATER	ELECTRIC TELECOMMUNICATIONS	
POTABLE WATER	1'-0"	1'-6" (2)	1'-6" (2)	1'-0" (1)	1'-0"	1'-0"	SEE NOTE 1
GRAVITY SANITARY SEWER	1'-6" (2)	1'-0"	1'-0"	1'-6"	1'-6" (2)	1'-0"	
SEWAGE FORCE MAIN	1'-6" (2)	1'-0"	1'-0"	1'-0"	1'-6" (2)	1'-0"	SEE NOTE 2
STORM	1'-0" (1)	1'-6"	1'-0"	1'-0"	1'-0"	1'-0"	
RECLAIMED WATER	1'-0"	1'-6"	1'-6"	1'-0"	1'-0"	1'-0"	SEE NOTE 3
ELECTRIC TELECOMMUNICATIONS	1'-0"	1'-0"	1'-0"	1'-0"	1'-0"	1'-0"	

- (1) FAC 62-555.314
- (2) FAC 62-604.400
- (3) FAC 62-610.469

***NOTE:**
1. ONLY OPTION 1 CONSTRUCTION IS ALLOWED WITHOUT APPROVAL OF CITY OF LEESBURG REPRESENTATIVE.
2. ONLY OPTION 2 CONSTRUCTION IS ALLOWED WITHOUT APPROVAL OF CITY OF LEESBURG REPRESENTATIVE.

MINIMUM VERTICAL SEPARATION REQUIREMENTS

NOT TO SCALE

PROPOSED UTILITY	MINIMUM HORIZONTAL SEPARATION EXISTING UTILITY						
	POTABLE WATER	GRAVITY SANITARY SEWER	SEWAGE FORCE MAIN	STORM	RECLAIMED WATER	ELECTRIC TELECOMMUNICATIONS	
POTABLE WATER	1'-0"	10'-0" (1,2)	10'-0" (1,2)	3'-0" (1)	3'-0" (1,3)	3'-0"	
GRAVITY SANITARY SEWER	10'-0" (2)	1'-0"	1'-0"	3'-0"	3'-0" (2)	3'-0"	
SEWAGE FORCE MAIN	10'-0" (2)	1'-0"	1'-0"	3'-0"	3'-0" (2)	3'-0"	
STORM	3'-0" (1)	3'-0"	3'-0"	1'-0"	3'-0"	3'-0"	
RECLAIMED WATER	3'-0" (1,3)	3'-0" (2)	3'-0" (2)	3'-0"	1'-0"	3'-0"	
ELECTRIC TELECOMMUNICATIONS	3'-0"	3'-0"	3'-0"	3'-0"	3'-0"	2'-0"	

- (1) FAC 62-555.314
- (2) FAC 62-604.400
- (3) FAC 62-610.469

***NOTE:** UTILITIES SHALL NOT BE INSTALLED WITHIN THE DRIP LINE OF TREES WITHOUT PRIOR WRITTEN APPROVAL FROM CITY OF LEESBURG REPRESENTATIVE.

MINIMUM HORIZONTAL SEPARATION REQUIREMENTS

NOT TO SCALE



**UTILITY CONFLICT STANDARD DETAIL
FOR VERTICAL & HORIZONTAL SEPARATION**

**City of Leesburg
Standard Details**

2024

Detail G-3