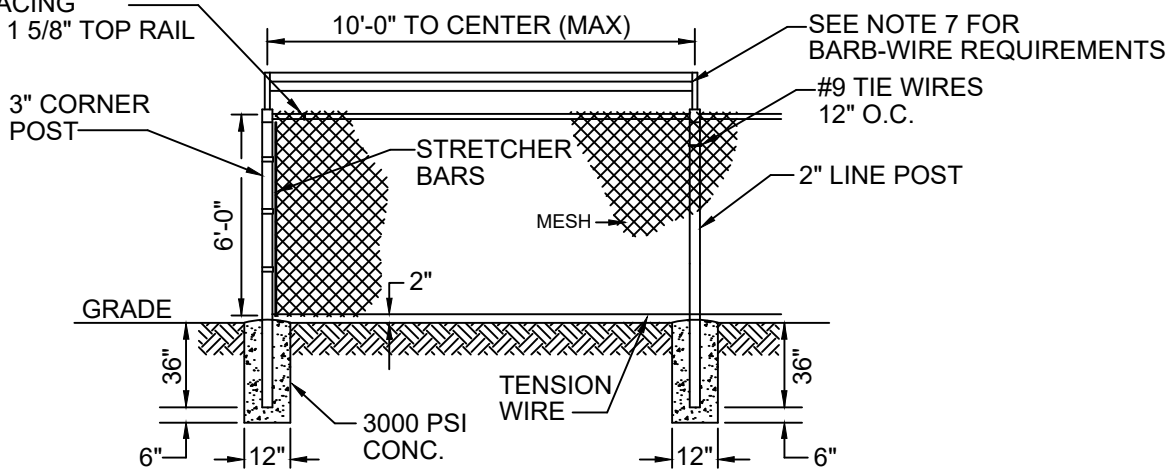
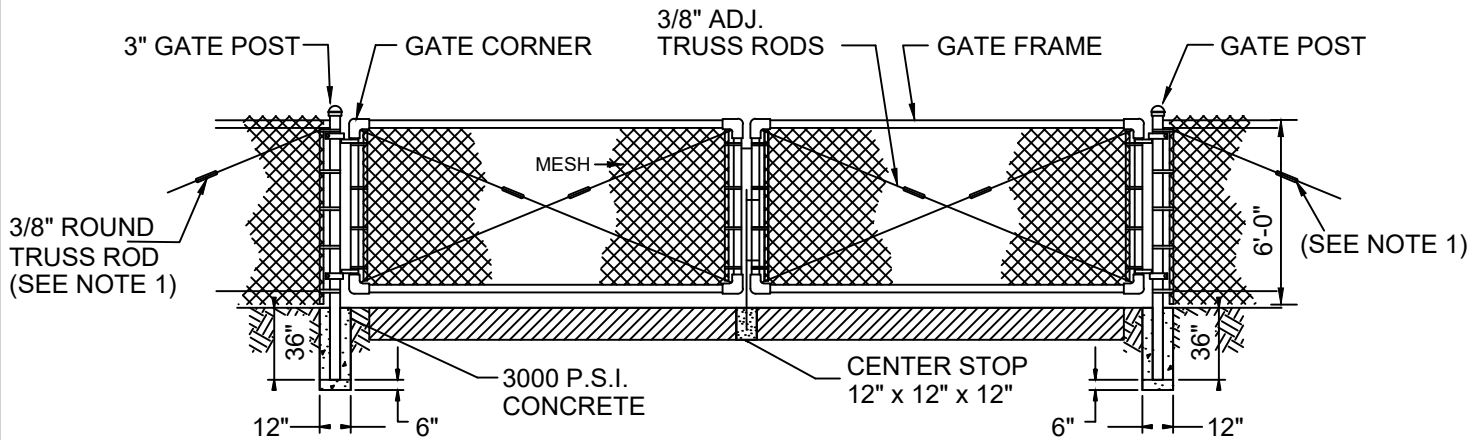


#9 GALV. CLIPS
2'-0" MAX.
SPACING
ON 1 5/8" TOP RAIL

CHAIN LINK FENCE DETAIL



FENCE DETAIL



DOUBLE SWING GATE DETAIL

NOTES:

1. TRUSS RODS ARE REQUIRED FOR EACH GATE SECTION AND THE FIRST SPAN ON EACH SIDE OF A CORNER POST ONLY.
2. ALL FENCING SHALL BE VINYL COATED MESH WITH A MINIMUM WIRE GAUGE OF 9. (COLOR DETERMINED BY CITY)
3. ALL POST SHALL BE MATCHING VINYL COATED
4. FENCE SHALL HAVE MATCHING COLORED SLATS
5. GATE SHALL HAVE 2 8' GATES WITH 16' OPENING WITH A MINIMUM WIRE GAUGE OF 9.
6. GATE TO BE CENTERED WITH WET WELL TOP SLAB FOR LIFT STATION
7. ALL TREATMENT PLANTS SHALL HAVE 3 STRANDS OF BARB-WIRE AT TOP OF FENCE FACING OUTWARD

NOT TO SCALE



LEESBURG
The Lakefront City

City of Leesburg
Standard Details

2024

Detail G-8