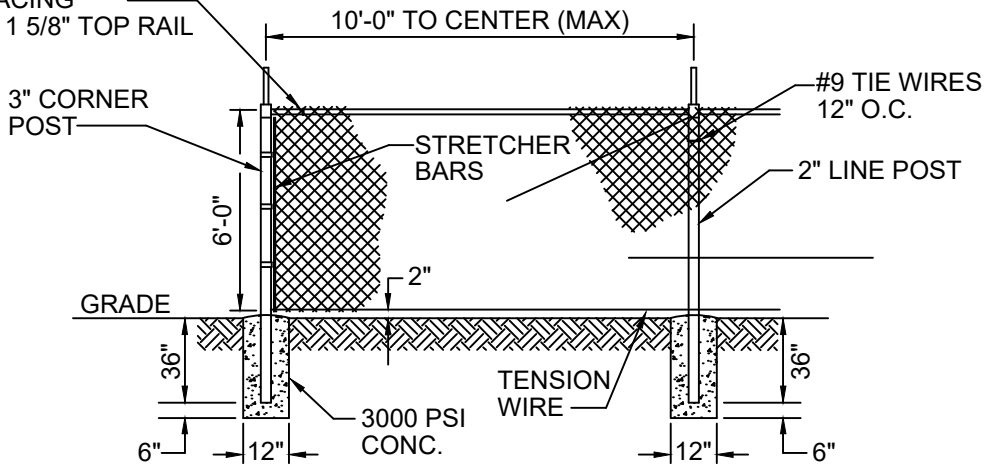
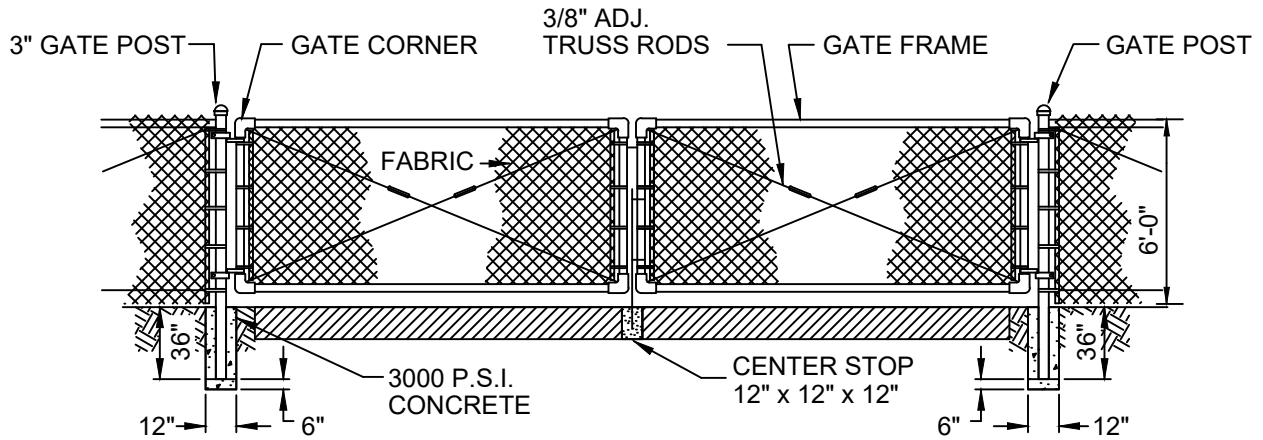


#9 GALV. CLIPS  
2'-0" MAX.  
SPACING  
ON 1 5/8" TOP RAIL



FENCE DETAIL



DOUBLE SWING GATE DETAIL

NOTES:

1. TRUSS RODS ARE REQUIRED FOR EACH GATE SECTION AND THE FIRST SPAN ON EACH SIDE OF A CORNER POST ONLY.
2. ALL FENCING SHALL BE VINYL COATED MESH WITH A MINIMUM WIRE GAUGE OF 9. (COLOR DETERMINED BY CITY)
3. ALL POST SHALL BE MATCHING VINYLCOATED.
4. FENCE SHALL HAVE MATCHING COLORED SLATS.
5. GATE SHALL HAVE 2 8' GATES WITH 16' OPENING WITH A MINIMUM WIRE GAUGE OF 9.
6. GATE TO BE CENTERED WITH WET WELL TOP SLAB

LIFT STATION FENCE DETAIL

NOT TO SCALE



**LEESBURG**  
*The Lakefront City*

**City of Leesburg**  
**Standard Details**

2024

Detail S-16