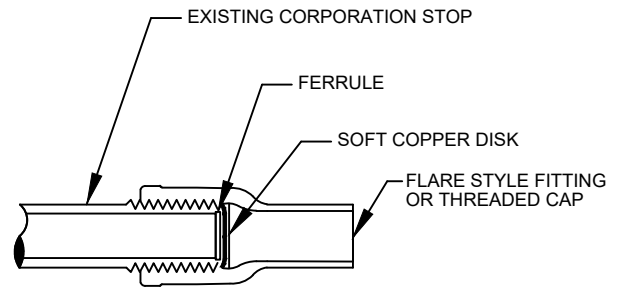
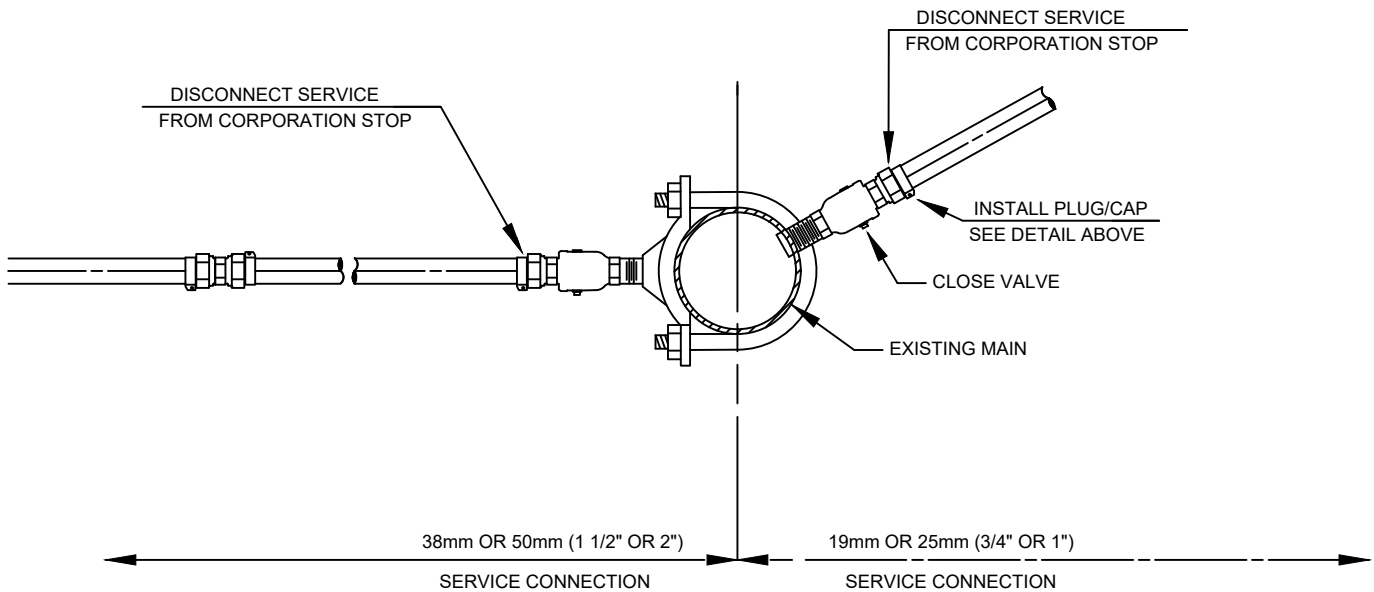


FLARED CORPORATION STOP



COMPRESSION CORPORATION STOP

PLUG CAP DETAILS



***NOTE: CITY OF LEESBURG DOES NOT ALLOW 1 1/2" SERVICE CONNECTIONS

Existing Water Service Abandonment

NOT TO SCALE



LEESBURG
The Lakefront City

**City of Leesburg
Standard Details**

2024

Detail W-16