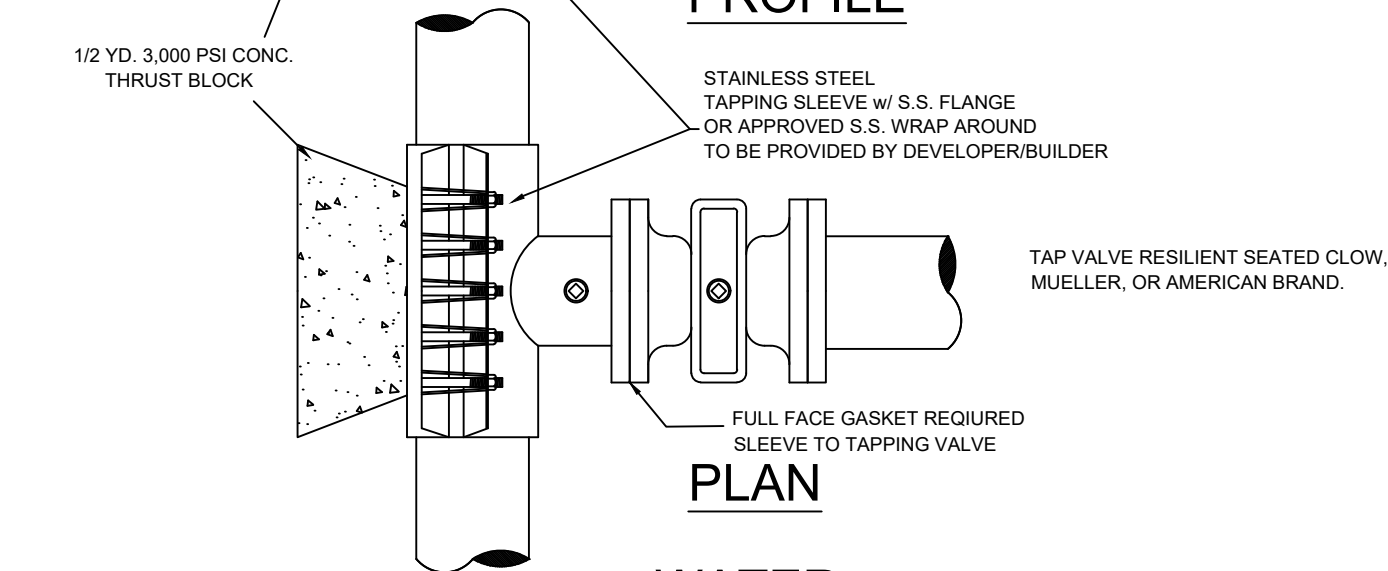


**PROFILE**



**PLAN**

**WATER  
WET TAP SLEEVE & TAP VALVE**  
NOT TO SCALE



**LEESBURG**  
*The Lakefront City*

**City of Leesburg  
Standard Details**

2024

Detail W-2