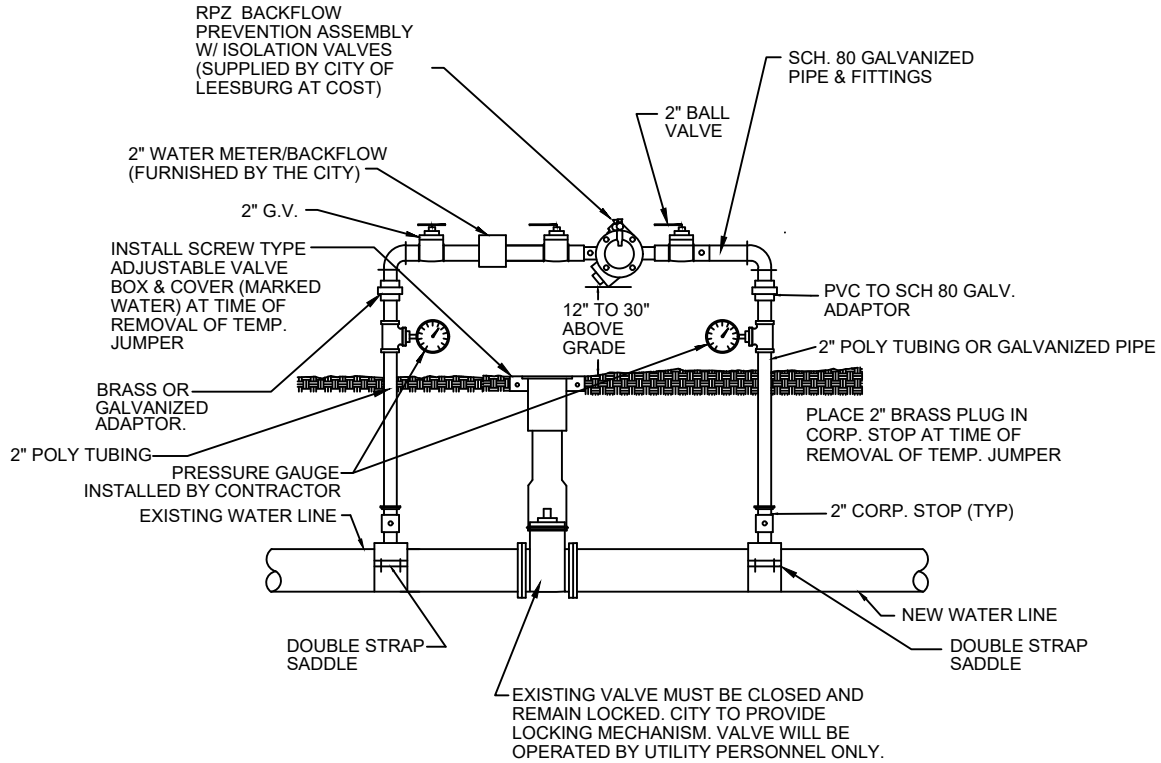


NOTE: LOCATION TO BE DETERMINED AT TIME OF PRECONSTRUCTION CONFERENCE W/ CITY.



\*\* NOTE:  
JUMPER/CONSTRUCTION METER MAY BE STAND MOUNTED BY THE CITY OF LEESBURG

## WATER

### TEMPORARY JUMPER CONNECTION DETAIL

NOT TO SCALE



LEESBURG

The Lakefront City

# City of Leesburg

## Standard Details

2024

Detail W-7